

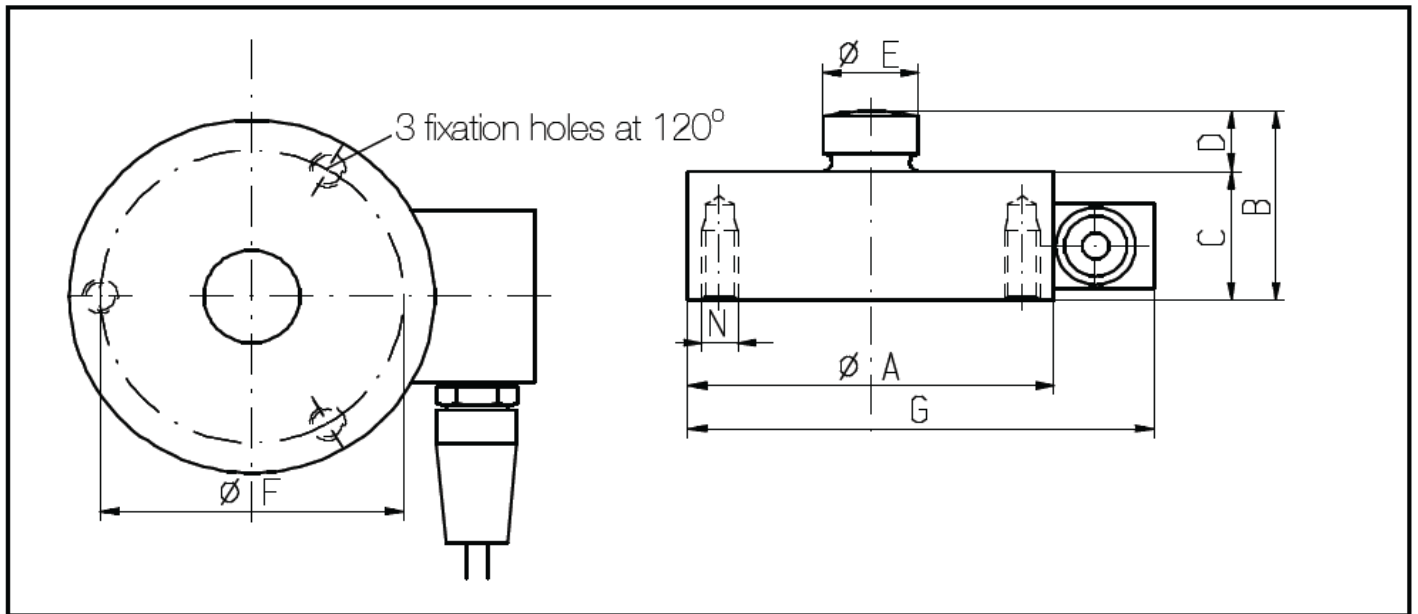
Model 344

压力传感器



- 完全密封
- 不锈钢
- 动态应用
- 恶劣环境应用

Test 公司的344系列压力传感器，适用于恶劣环境下的压力测试。传感器由不锈钢制造，安装方便。该传感器带有球面设计的受压部分，使之可用于高精度力值测量。这个系列也可用作QM质量管理体系中的标准传感器。



Series	344		Range in kN				
Class	M		Dimensions in mm				
Nominal sensitivity	mV/V	2	2	75	250	500	
Sensitivity tolerance	%	≤ 0,1	5	100	350		
Nonlinearity	%	≤ 0,05	10	200			
Variation	%	≤ 0,08	25				
Combined error	%	≤ 0,1	50				
Reference temperature	°C	21	A	∅ 82	∅ 100	∅ 114	∅ 124
Nominal temperature range	°C	-10...+ 40	B	44	48	48	58
Creep error after 30 min	%	≤ 0,06	C	30	35	35	45
Creep error after 8 h	%	≤ 0,09	D	14	13	13	13
Temperature coefficient of the zero signal per 10K within the nominal temperature range	%	≤ 0,01	E	∅ 21,5	∅ 25	∅ 26	∅ 35
Temperature coefficient of the sensitivity per 10K within the nominal temperature range	%	≤ 0,005	F	∅ 68	∅ 80	∅ 86	∅ 95
Stock temperature range	°C	-20 ...+ 70	G	104,5	122,5	136,5	146,5
Output resistance at reference temperature	W	350 ± 2	N	M8 x 15	M10 x 15	M12 X 20	
Input resistance at reference temperature	W	400 ± 25	R	50			160
Isolation resistance at reference temperature	GW	> 2	H	40			
Maximum input voltage	V	15					
Nominal range of input voltage	V	1... 10					
Break load in reference to nominal load	%	≥ 300					
Max. allowance for dynamic load	%	≥ 70					
Protection class		IP 68					