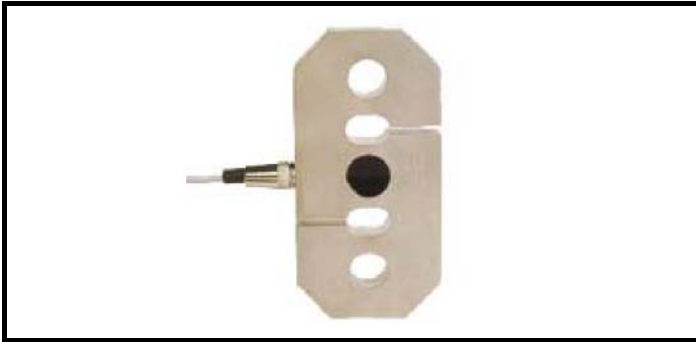


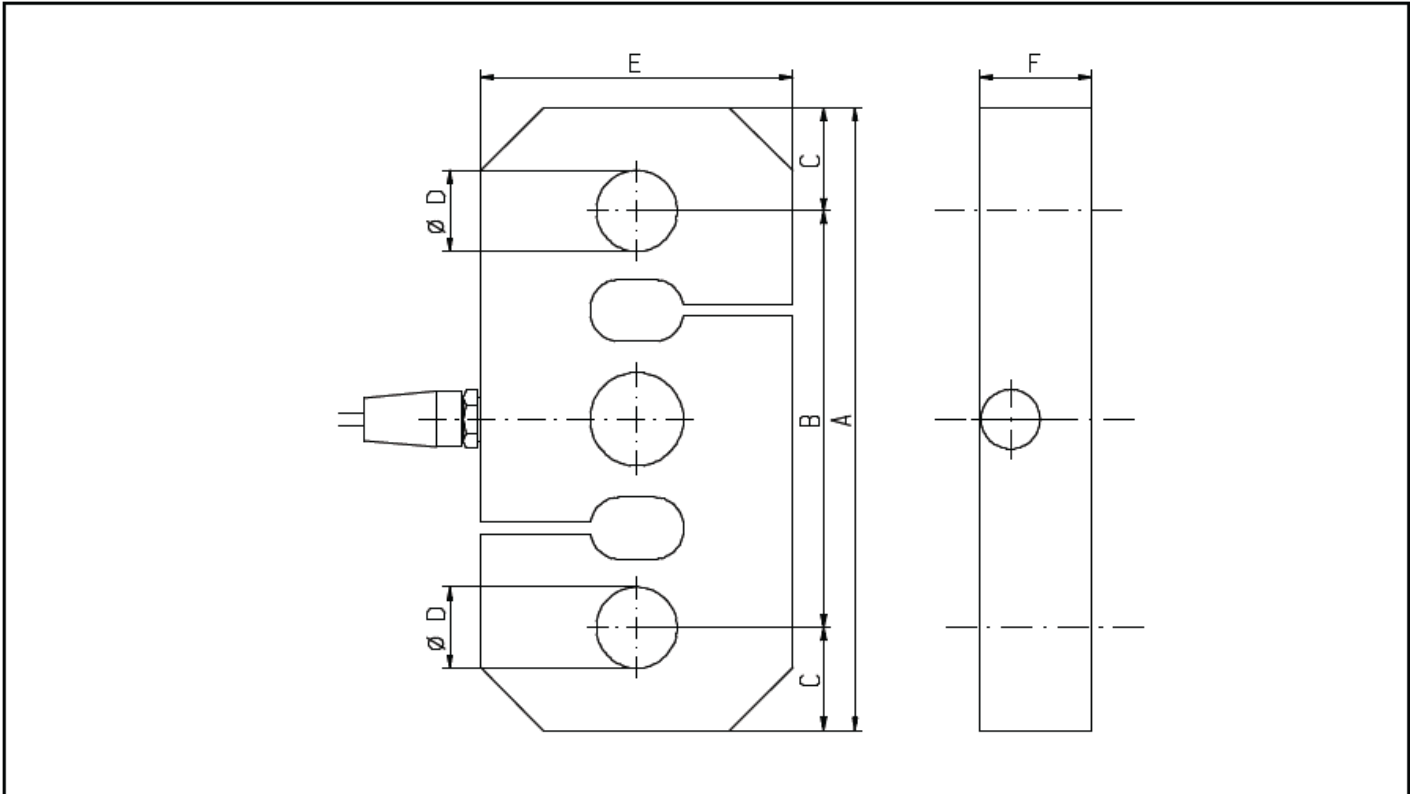
Model 332

拉力传感器



- 稳定牢固
- 免维护
- 便携式应用
- 使用方便

Test 公司的332系列拉力传感器，是在恶劣环境下实现高标准测试的经典形式，由不锈钢制造，安装方便。该传感器特别适合于拉力试验和在QM管理中作为标准。根据要求，可提供特殊的高质量形式。



Series	332		Range in kN				
	Class	M	Dimensions in mm				
			50	75	100	150	200
Nominal sensitivity	mV/V	2					
Sensitivity tolerance	%	≤ 0,1					
Nonlinearity	%	≤ 0,02					
Variation	%	≤ 0,017					
Combined error	%	≤ 0,03					
Reference temperature	°C	21					
Nominal temperature range	°C	-10...+ 40					
Creep error after 30 min	%	≤ 0,023					
Creep error after 8 h	%	≤ 0,05					
Temperature coefficient of the zero signal	%	≤ 0,003					
Output resistance at reference temperature	Ω	350 ± 2					
Input resistance at reference temperature	Ω	400 ± 25					
Isolation resistance at reference temperature	GΩ	> 2					
Maximum input voltage	V	15					
Nominal range of input voltage	V	1...10					
Break load in reference to nominal load	%	≥ 300					
Max. allowance for dynamic load	%	≥ 70					
Protection class		IP 65					

Dimensions	50	75	100	150	200
A	200	200	220	250	250
B	134	130	136	156	156
C	33	35	42	47	47
D	26	29	36	42	52
E	100	100	100	130	130
F	36	41	50	58	70

- White = Sense +
- Red = Input +
- Blue = Input -
- Yellow = Output +
- Green = Output -
- Black = Sense -
- Metal shield