

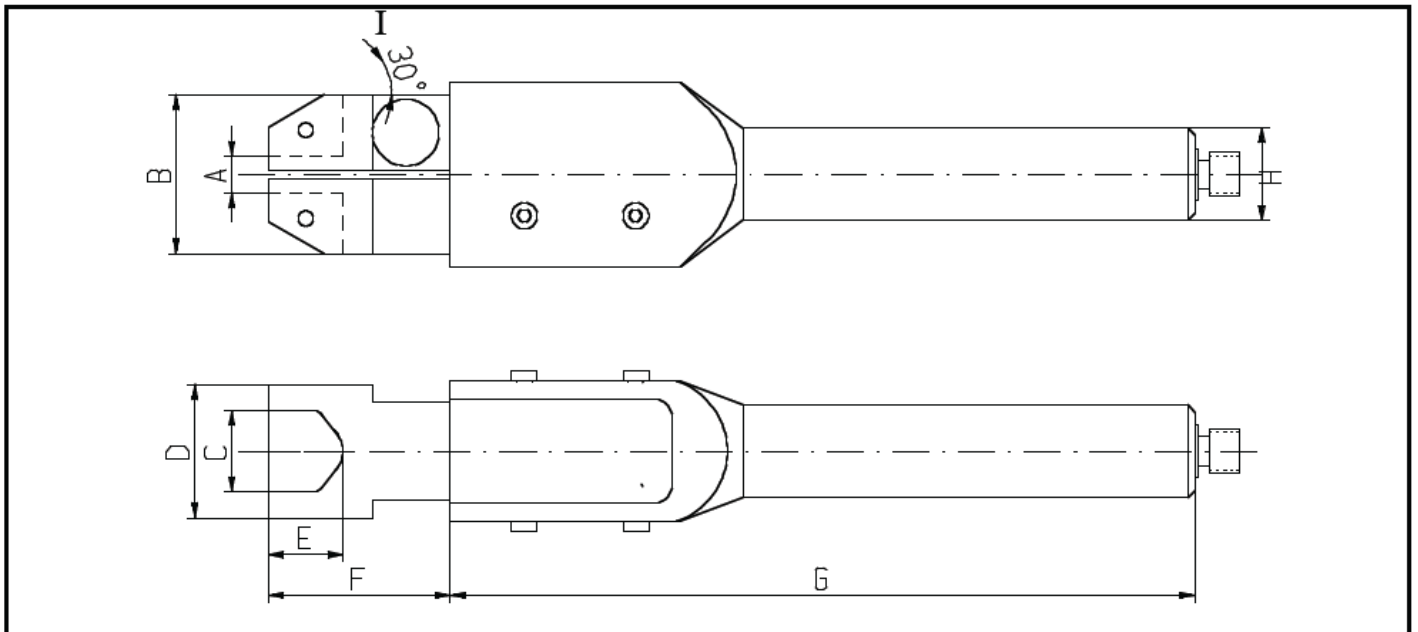
# Model 314

## 用于特殊测力场合的测力传感器



- 稳定牢固
- 便携式应用
- 免维护
- 使用方便

Test 公司的314系列力传感器，是由特殊钢材和应变计规格制造的剪切力传感器，主要用于质量管理，可长期安装使用，也可在需要检测时使用。该传感器特别适合点焊机的力控制应用。



Series		314
Class		M
Nominal sensitivity	mV/V	2
Sensitivity tolerance	%	≤ 0,1
Nonlinearity	%	≤ 0,04
Variation	%	≤ 0,02
Combined error	%	≤ 0,1
Reference temperature	°C	21
Nominal temperature range	°C	-10...+40
Running temperature range	°C	-20...+40
Creep error after 30 min	%	≤ 0,05
Creep error after 8 h	%	≤ 0,07
Temperature coefficient of the zero signal per 10K within the nominal temperature	%	≤ 0,01
Temperature coefficient of the sensitivity per 10K within the nominal temperature	%	≤ 0,005
Stock temperature range	°C	-20...+ 70
Output resistance at reference temperature	Ω	750 ± 25
Input resistance at reference temperature	Ω	700 ± 2
Isolation resistance at reference temperature	G Ω	> 5
Maximum input voltage	V	15
Nominal range of input voltage	V	1...10
Break load in reference to nominal load	%	≥ 250
Max. allowance for dynamic load	%	≥ 150

Range in kN		
Dimensions in mm		
	2	20
	5	30
	10	
A	9	16,5
B	36	72
C	22,5	22,5
D	36	36
E	20	20
F	57	70
G	200	200
H	Ø25	Ø25
I	30°	30°

