

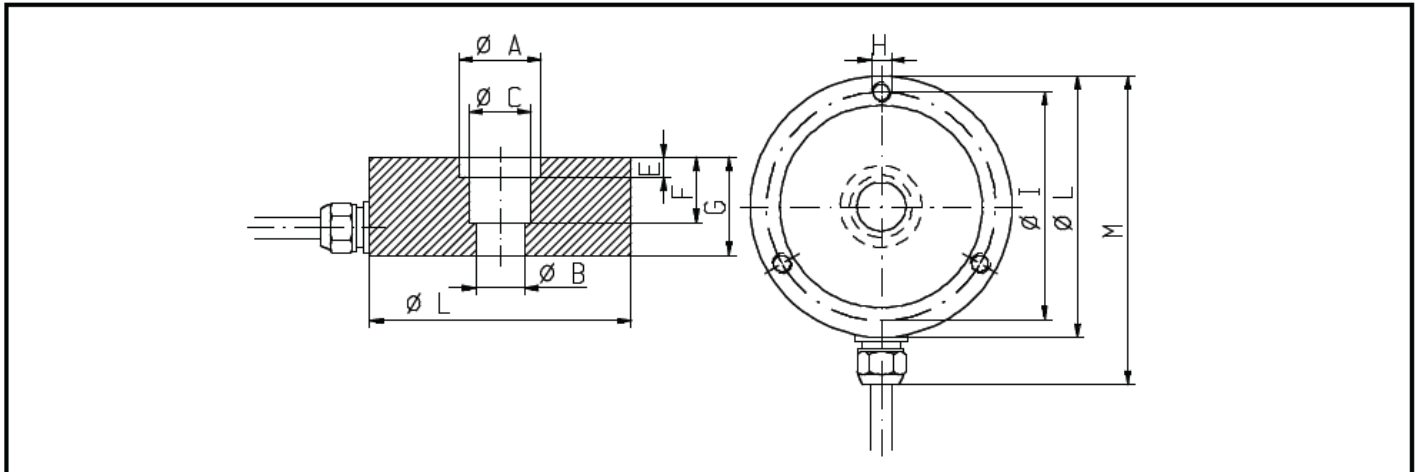
Model 311

测力传感器



- 外形小巧
- 便于安装
- 高精度
- 动态应用

Test 公司的311系列力传感器，常用作标准传感器和试验机用传感器，也提供给需要高精度结果的有效测试。常用于空间极小或有其他特殊要求的场合。全密封的不锈钢传感器，不受外界条件变化的影响。传感器由高质铝材或不锈钢制成，拉力和压力测试性能极优。用于校准应用，还可以提供依据EN376 标准的附件。



| Series | 311 | | Ranges in kN | | |
|---|------|-----------------|------------------|------|-------|
| Class 00 acc. to EN ISO 376 | CAL | | Dimensions in mm | | |
| Nominal sensitivity | mV/V | 2 | 2 | 20 | 100 |
| Sensitivity tolerance | % | ± 0,1 | 5 | 30 | |
| Zero point tolerance | % | ± 1 | 10 | 50 | |
| Zero point tolerance after 30 min | % | ± 0,025 | | | |
| Hysteresis | % | ± 0,0083 | | | |
| Combined error | % | ± 0,0115 | | | |
| Nominal temperature range | °C | -10...+40 | | | |
| Running temperature range | °C | -30...+70 | | | |
| Creep error after 30 min | % | ± 0,012 | | | |
| Creep error after 20 min | % | ± 0,0026 | | | |
| Temperature coefficient of the zero signal per 10K within the nominal temperature | % | ± 0,0045 | | | |
| Temperature coefficient of the sensitivity per 10K within the nominal temperature | % | ± 0,0025 | | | |
| Stock temperature range | °C | -30...+80 | | | |
| Output resistance at reference temperature | W | 1025 ± 25 | A | Ø 25 | Ø 25 |
| Input resistance at reference temperature | W | 1100 ± 50 | B | M10 | 15 H7 |
| Isolation resistance at reference temperature | G W | > 5 | C | Ø 19 | Ø 19 |
| Maximum input voltage | V | 15 | D | 9,5 | 8,5 |
| Nominal range of input voltage | V | 5...15 | E | 1 | 6 |
| Break load in reference to nominal load | % | ≥ 150 | F | 15 | 20 |
| Max. allowance for dynamic load (range of oscillation acc. to DIN 50100) in reference to nominal load | % | ≥ 50 | G | 25 | 30 |
| Protection class | | IP 68 | H | M6 | M6 |
| Material | | stainless steel | I | Ø 70 | Ø 70 |
| | | | L | Ø 80 | Ø 80 |
| | | | M | 95 | 95 |
| Up to 50 kN, the 311 model is used for tensile and compressive forces. From 100 kN onwards it is used as a compressive force transducer. | | | | | |